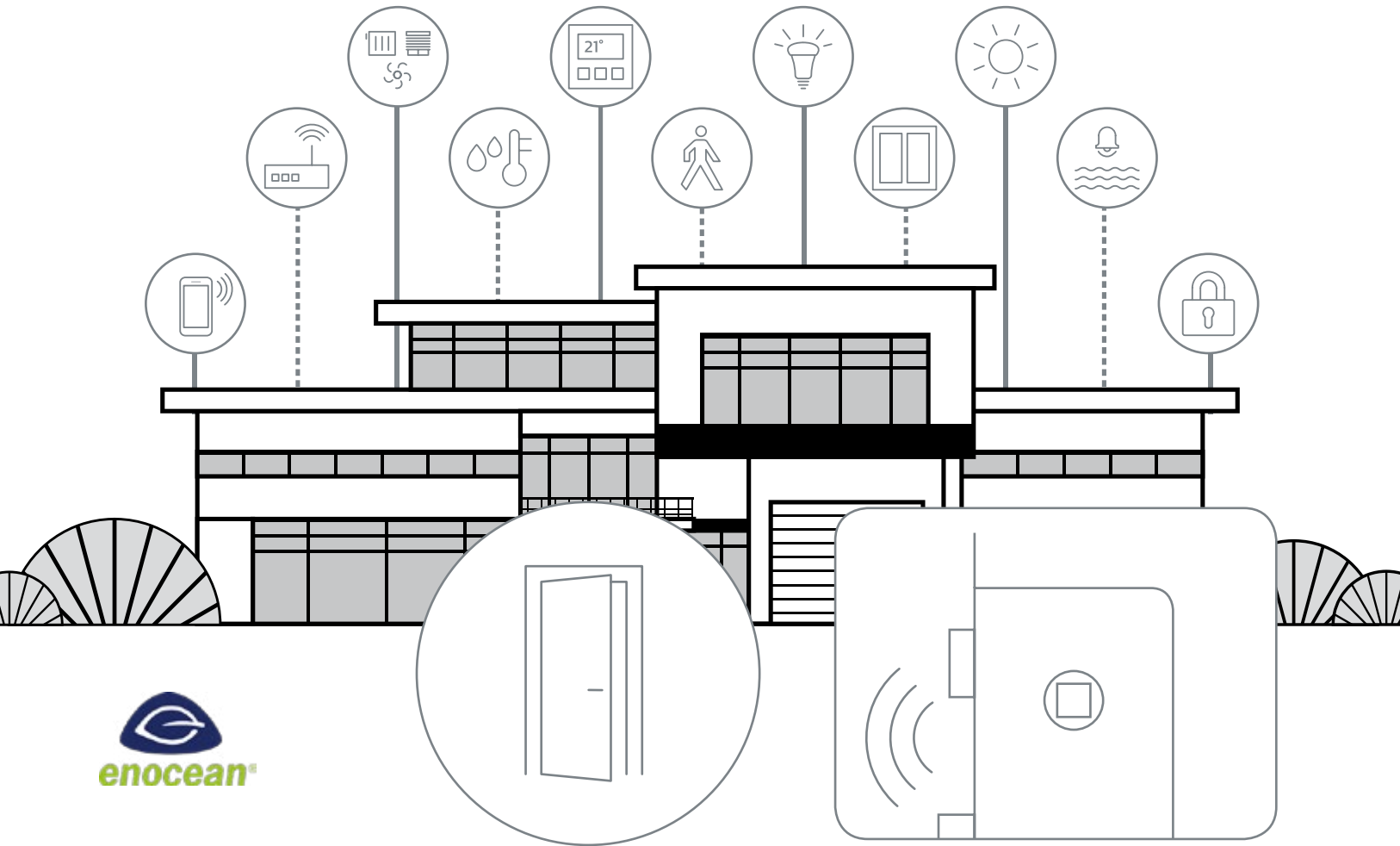


SAG Smart Line

Door locks with EnOcean wireless technology



Integrate your doors into building automation systems wirelessly and free of batteries

SAG Smart Line

SAG mortise locks with EnOcean wireless technology integrate your doors into building automation systems

Door actuation actions are transmitted to the building automation components wirelessly by means of power generation via energy harvesting, without restrictions due to power supply cables or batteries. This makes for sustainable, convenient and cost-effective building control.



Energy harvesting:
Mechanical energy transformed into electric energy by actuating lock catches or bolts

Efficient, sustainable building organisation

Digitalisation is progressing rapidly in buildings. The result is automated service processes in facility management, greater energy savings and more individual user comfort.

Battery-free wireless sensor technology from EnOcean

Digitalisation using distributed sensors and a cloud-based infrastructure enables users to automate space management. For example, based on usage data, sensors are used to optimise room utilisation and thus cost-intensive resources such as heating, air conditioning or light, as well as staff and inventory. Sensors that send out an early warning in case of break-in, fire or water damage can prevent insured losses into the millions.

Wireless solutions

Considering that 90% of buildings are owned properties, wireless solutions are ideal retrofits, as they offer an excellent benefit-cost ratio. The system technology is based on wireless sensors that provide the required data for numerous points in the building.

Already in use in over 500,000 buildings worldwide, the EnOcean wireless standard is primarily established as a communications protocol in this area.

Easy networking

IoT gateways connect the sensors and actuators via the Internet, including bus systems such as KNX or cloud-based platforms like IBM Watson, Amazon Echo, Microsoft Azure, Apple HomeKit, Google Home or Crestonie.

SAG Smart Line is the first mortise lock program equipped with EnOcean wireless technology, enabling especially efficient and sustainable integration of doors into building automation systems.

Energy harvesting for battery-free wireless transmission

SAG Smart Line wireless locks apply mechanical energy (lever actuation or bolt movement) to generate the energy required for wireless transmission via a generator. In wireless technologies, energy harvesting does away with restrictions due to power supply cables or batteries.

Flexible control

For increased building security, SAG Smart Line mortise locks can prevent door motions (actuations of the latch or bolt).

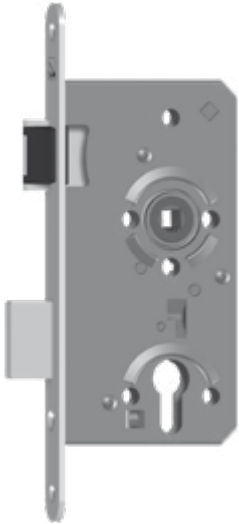
Simple, inexpensive retrofit

By replacing existing mortise locks in the building with SAG Smart Line door locks, building doors can be quickly retrofitted at low cost during ongoing operation and integrated into the building automation system.



Integrate your doors into building automation systems wirelessly and free of batteries with SAG Smart Line mortise locks

Technical data and variants



1 7467SL SAG Smart Line item lock, profile cylinder with key action bolt, according to DIN 18251, class 3

Metal fastening follower in drawn bearing rings, stainless steel forend, lifetime lubrication with high-convenience, quiet-as-a-whisper noise reduction as standard

Wireless technology

- Each wireless sensor in the SAG mortise lock has a unique ID allowing it to be integrated into an installation.
- As standard, two statuses (e.g. closed/open) are detected by the wireless technology and transmitted as a wireless protocol.

Radio frequency	868 MHz (Europe)
EnOcean protocol	ISO 14543-3-10
Range (free field)	30 m max.

Variants

	#		Backset			Forend design				Follower		
			55	60	65	Rebated		Flush		Stainless		
						18	20				24	8
	1 7467SL	•	•		•			•	•	•	○	
	1 7567SL	•	•				•	•	•	•	○	
	1 4117SL	•	•				•	•	•	•	○	
	1 4127SL	•	•				•	•	•	•	○	

- As standard
- on request, quantity-dependent



quiet-as-a-whisper noise reduction

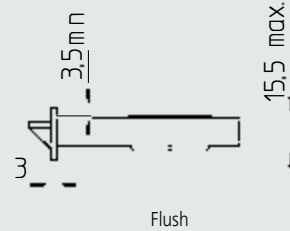
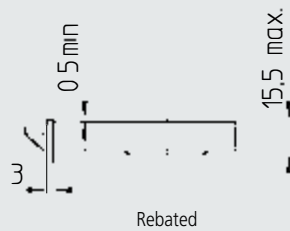
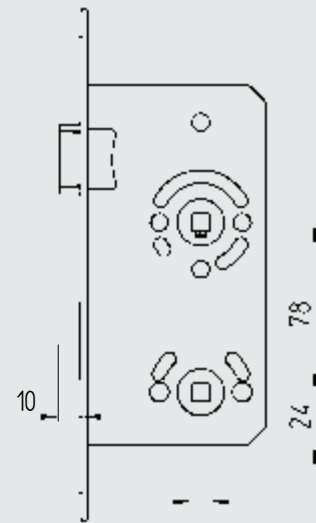
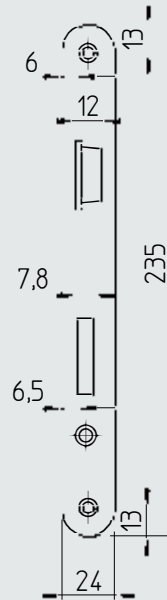
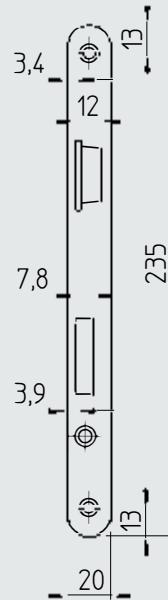
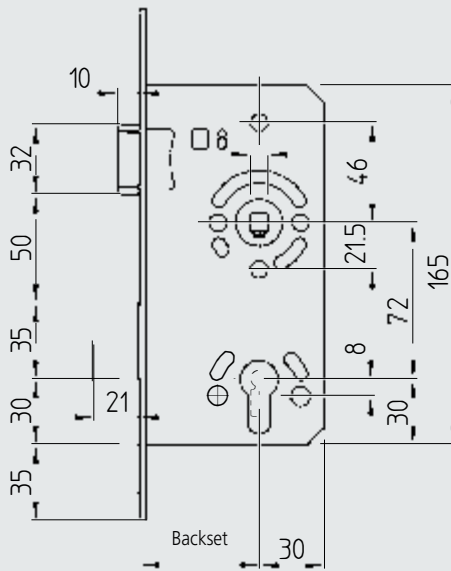
Further variants available on request

1 7467SL
SAG Smart Line item lock

Rebated

Flush

deviating dimensions of bathroom





Schulte-Schlagbaum AG

PO Box 10 12 40

42512 Velbert, Germany

Tel. +49(0)2051/2086-0

saghotline@sag-schlagbaum.com

www.sag-schlagbaum.com